

Hermitage Wall mixer large flange

Product Code: HL.05R (Chrome)
HL.05R.41 (Brushed Nickel)

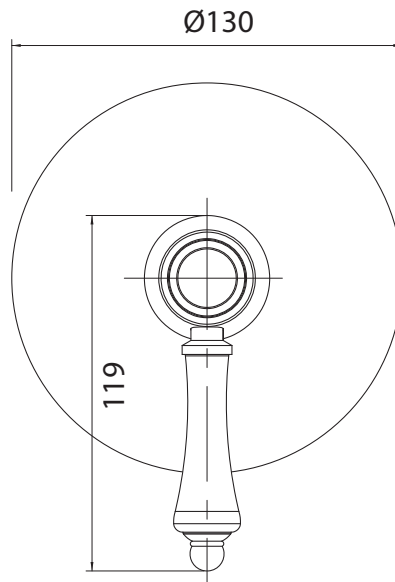


FEATURES

- Chrome or Brushed Nickel plated brass construction
- Ø130mm flange
- white ceramic lever handle
- high performance ceramic disc cartridge
- PARISI 15 year product warranty
- PARISI 5 year labour warranty
- Match with Hermitage accessories

SPECIFICATIONS

Finish: Chrome, Brushed Nickel
Material: Brass
Installation: Refer to instructions in packaging



Manufactured by

PARISI

