

V O L O

PARISI  
BATHWARE

DESIGN 

wall basin



Manufactured by  **FLAMINIA**

1.41.5

January 2011



The Volo line grew out of a need to introduce a new line of design into the production of sanitary-objects, without just making simple variations on “formal decoration”. Volo represents an original language, never spoken by ceramics. Reduced thickness, straight lines, fine thin surfaces. It seems the typical style of plastic, glass or steel and now of ceramics too.

Code: FLVL661/S (1TH)  
FLVL663/S (3TH)

**Tap Hole Options**

1 or 3 tap hole as standard.

**Waste Outlet**

32mm standard plug and waste to be ordered separately (see technical data sheets 2.99.0 for options available)

**Overflow**

Positioned at the rear of the bowl.

**Installation Instructions**

It is recommended that the basin be installed using a flexible sealant, epoxy type glues must not be used, to do so may void product warranty. This basin is **not glazed** at the rear, therefore, it is recommended that it be installed directly against the wall behind.

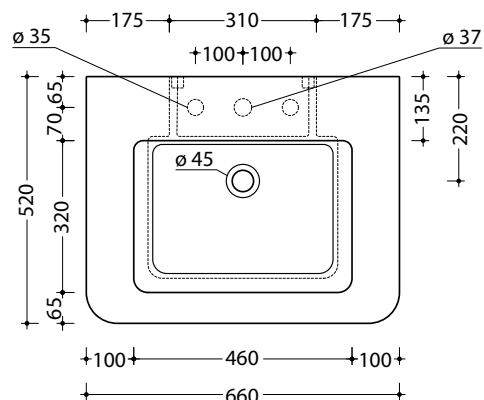
Wall fixing bolts included (code: WFB100).

**Colour**

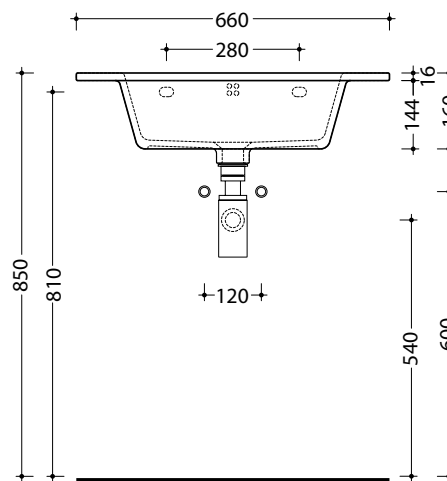
White only.

**Packing Details**

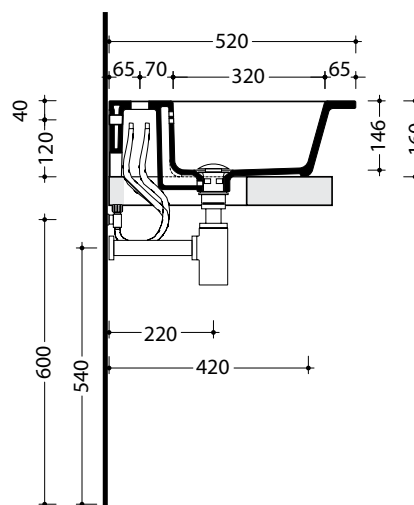
Supplied in one carton.



vista zenitale / zenital view



vista frontale / frontal view



sezione longitudinale / section