

W A S H

  
PARISI  
BATHWARE

bath



Manufactured by **→FLAMINIA.**

7.03.0

1 October, 2008

# W A S H

bath



Designed by Giulio Cappellini, the Wash is an innovative product made of white Pietraluce® that elegantly joins the function of a bath-tub and a shower tray. The rounded corners lighten the rectangular shape of this bath.

Code: FLMW170

### Tap Hole Options

N/A

### Waste Outlet

50mm Clic-Clac plug and waste supplied with bath.

### Bath Capacity

305 litres.

### Overflow

N/A.

### Installation Instructions

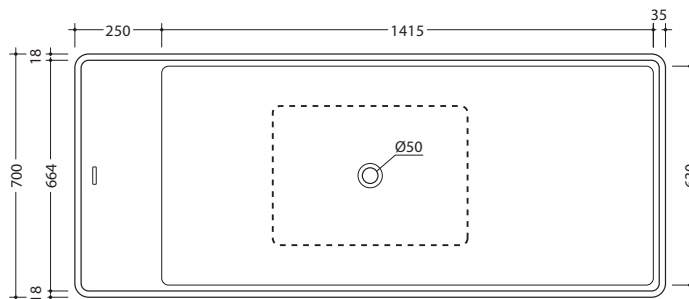
As per supplier instructions.

### Colour

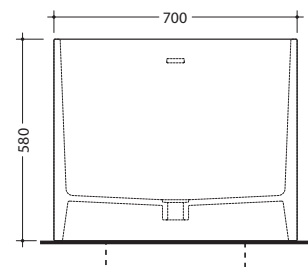
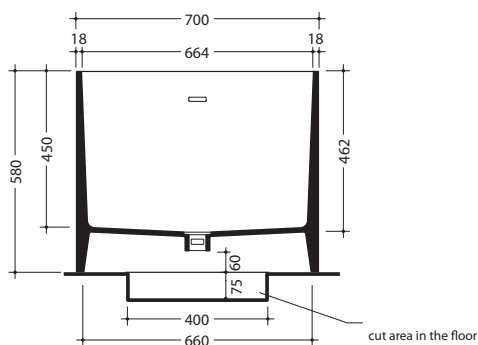
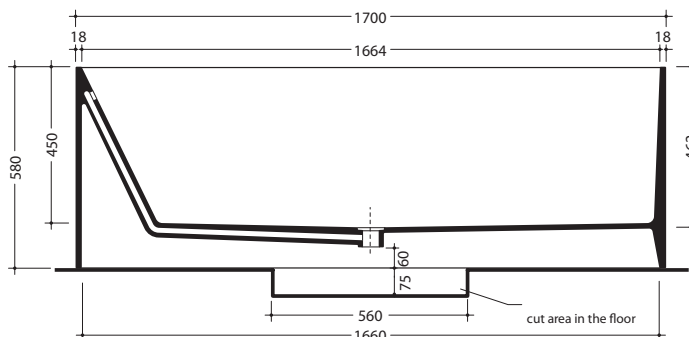
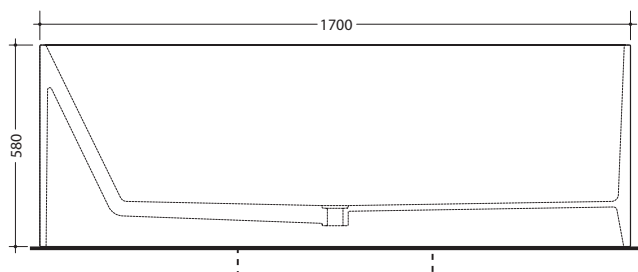
Bath: White only.

### Packing Details

170kg. Supplied in one carton.



Max Capacity 350 L.  
Net Weight 170 Kg.



Manufactured by **FLAMINIA.**